

UI-1240SE-C-HQ (AB.0010.1.46400.24)



In series

The model is in series and available for the long term.



■ Made in Germany

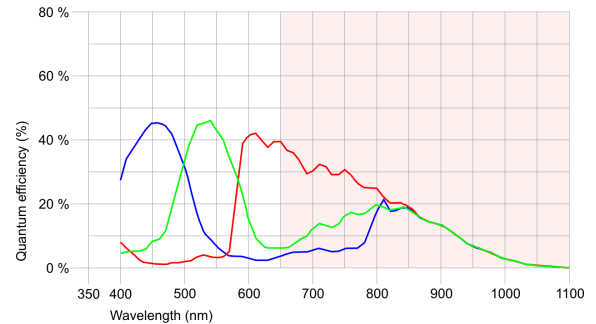


uEye industrial cameras now also work with IDS peak! We recommend the Software Development Kit for the implementation of new projects. [Learn about the process here and switch now.](#)
Please note: The technical data given here was measured using the IDS Software Suite.

Specification

Sensor

Sensor type	CMOS Color
Shutter	Global Shutter / Rolling shutter / Global Start Shutter
Sensor characteristic	Linear
Readout mode	Progressive scan
Pixel Class	1.3 MP
Resolution	1.31 Mpix
Resolution (h x v)	1280 x 1024 Pixel
Aspect ratio	5:4
ADC	10 bit
Color depth (camera)	8 bit
Optical sensor class	1/1.8"
Optical Size	6.784 mm x 5.427 mm
Optical sensor diagonal	8.69 mm (1/1.84")
Pixel size	5.3 µm
Manufacturer	e2v
Sensor Model	EV76C560ACT
Gain (master/RGB)	4x/4x
AOI horizontal	same frame rate
AOI vertical	increased frame rate
AOI image width / step width	16 / 4
AOI image height / step width	4 / 2
AOI position grid (horizontal/vertical)	2 / 2
Binning horizontal	same frame rate
Binning vertical	same frame rate
Binning method	M/C automatic
Binning factor	2
Subsampling horizontal	-
Subsampling vertical	-
Subsampling method	-
Subsampling factor	-



Subject to technical modifications (2022-05-26)

Model

Pixel clock range	7 MHz - 35 MHz
Frame rate freerun mode	25
Frame rate trigger (maximum)	24
Exposure time (minimum - maximum)	0.009 ms - 2000 ms
Power consumption	0.3 W - 0.7 W
Special features	Scaler, Sequencer, Log mode, Sensor hot pixel correction, Fine exposure, Multi-AOI

Ambient conditions

The temperature values given below refer to the outer device temperature of the camera housing.

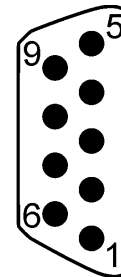
Device temperature during operation	0 °C - 55 °C / 32 °F - 131 °F
Device temperature during storage	-20 °C - 60 °C / -4 °F - 140 °F
Humidity (relative, non-condensing)	20 % - 80 %

Connectors

Interface connector	USB 2.0 mini-B, screwable
I/O connector	9-pin micro D-Sub socket (MPE Garry 11-0021-50-09L)
Power supply	USB cable

Pin assignment I/O connector

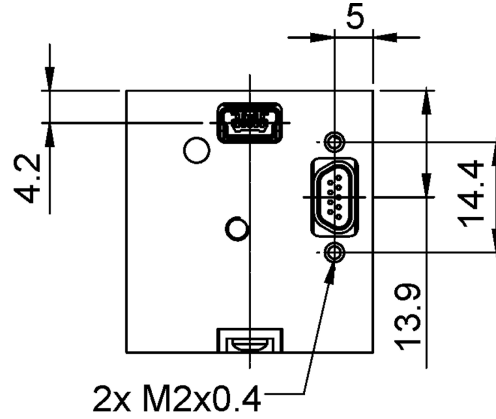
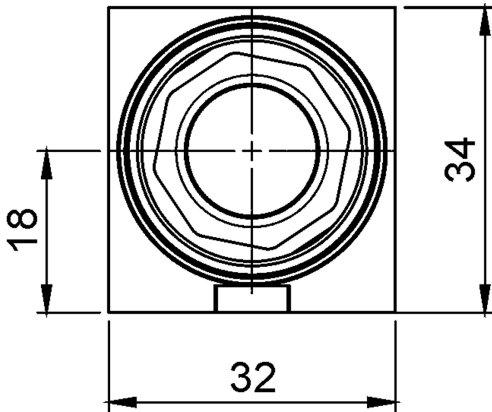
1	Flash output with optocoupler (-)
2	Trigger input with optocoupler (+)
3	Shielding
4	USB Power supply (VCC) 5 V
5	USB Ground (GND)
6	Flash output with optocoupler (+)
7	Trigger input with optocoupler (-)
8	USB data (+)
9	USB data (-)



Camera rear view

Design

Lens Mount	C-Mount
IP code	IP30
Dimensions H/W/L	34.0 mm x 32.0 mm x 41.3 mm
Mass	65 g



2 x M3x0.5 ∇ 4.5

